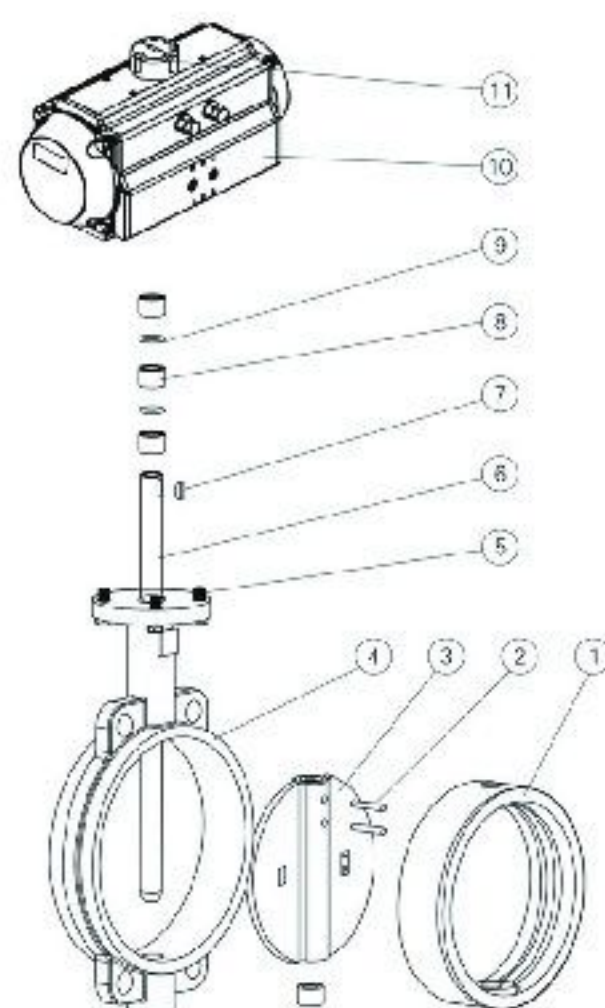


LDBUAP 系列

气动对夹软密封蝶阀



零件结构 (图一)

技术参数 Technical Parameters

气缸形式 Cylinder Type	双作用、单作用 Dual action actuator, Spring return action
环境温度 Environmental Temperature	-20°C ~ +80°C
气源压力 Air Pressure	双作用 4~8bar、单作用 5~8bar Dual action actuator 4~8bar, Spring return action 5~8bar

功能选项 Function Options

防爆型 Explosion Proof Model	防爆等级 :dII BT4 Explosion-proof class: dII BT4
信号反馈 Signal Feedback	X1 机械式无源信号, X2 有源信号 X1 mechanical passive signal, X2 active signal
手动功能 Manual function	电动执行器带有手动开阀、关阀功能 Optional wheel, manual switch~&close valve function
调节型 Regulation Model	输入 4~20mA 信号, 实现球阀调节功能 4~20mA input signal, realizing adjustment function

标准规范 Specification Standard

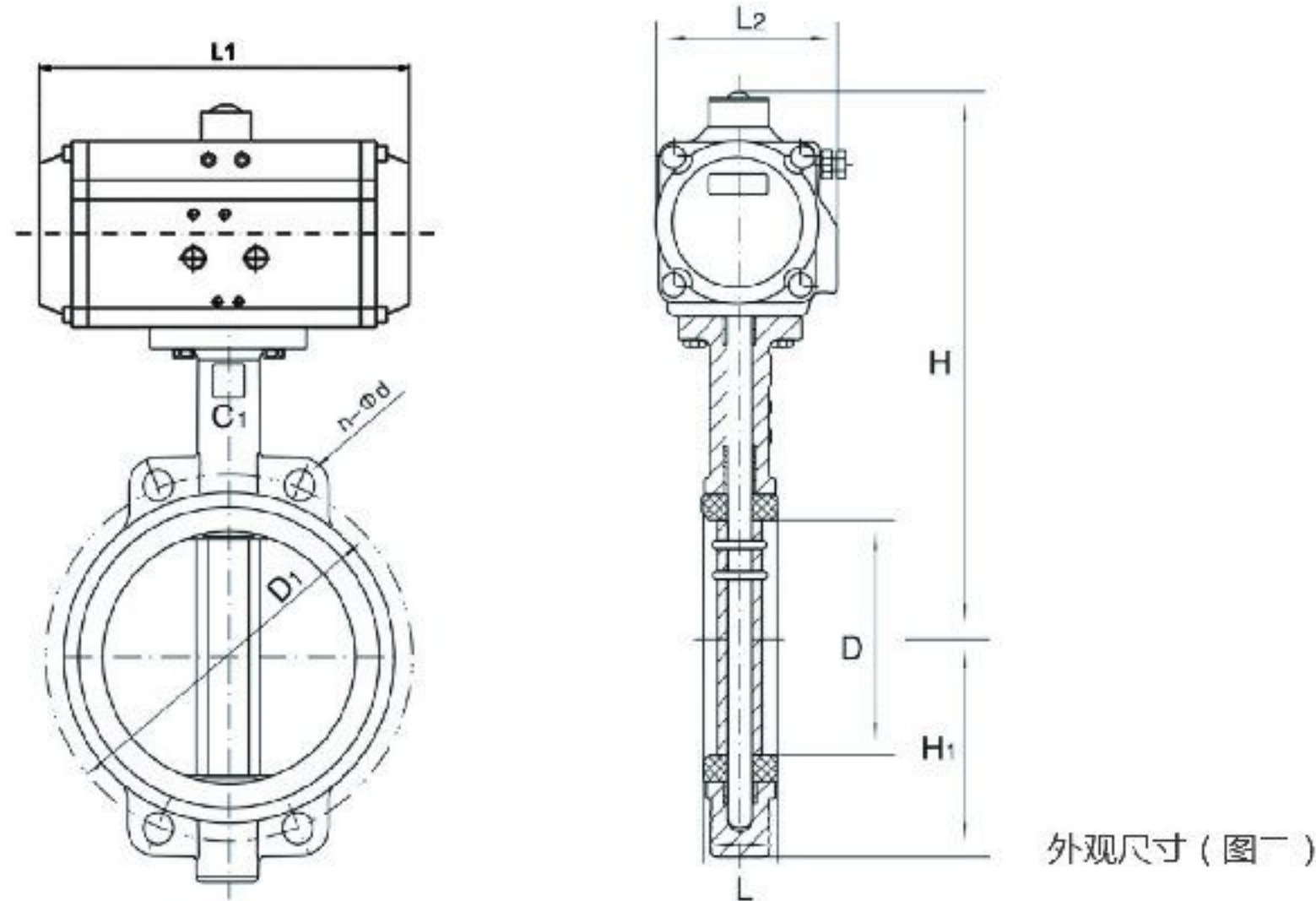
法兰标准 The standard of the flange	JB/T79、ANSI/9113
检测与试验 Inspection and Testing	JB/T9092
设计标准 Design Standard	ANSI/12238
结构长度 Structure Length	ANSI/12221
对夹连接 Wafer Connecting	ANSI/12221

阀体参数 Body Parameters

公称压力 Nominal Pressure	N10、PN16
连接方式 Connection Method	对夹式、法兰标准: JB、GB (特选 ANSI、JIS) The wafer, the flange standard JB, GB, ANSI, JIS) selection
阀体材质 Valve Body Material	WCB、SS304、SS316、SS316L
碟板材质 The plate material	铸铁、WCB、SS304、SS316、SS316L
密封材料 Sealing Material	X、NBR、EPDM、PTFE
工作温度 Working Temperature	C1: -10°C ~ 60°C
	C2: -20°C ~ 80°C
	C3: -20°C ~ 120°C
	C4: -40°C ~ 150°C

※ 注: 蝶阀结构长度及连接法兰尺寸可根据用户要求设计制作。

Note: The structural length and connecting flange size of butterfly valve series can be designed and manufactured as per users' requirements.



零件结构材质表 Form of Main Parts Materials (图一)

No.	零件名称 Name of parts	材质 Material		
		Z	C	P
1	阀座 Seat	橡胶、四氟 Rubber、PTEE		
2	圆推销 Taper Pin	45 钢 45 Steel	45 钢 45 Steel	不锈钢 Stainless Steel
3	翹板 Butterfly Plate	球墨铸铁镀硬铬 Ductile Iron iron Hard Chrome Plating	碳钢或不锈钢 Simple Steel or Stainless Steel	不锈钢 Stainless Steel
4	阀体 Body	灰铸铁 Grey Cast Iron	碳钢 Carbon Steel	不锈钢 Stainless Steel
5	螺栓 Screw	35 钢 35 Steel	碳钢 Carbon Steel	不锈钢 Stainless Steel
6	阀杆 Stem	45 钢 45 Steel	不锈钢 Stainless Steel	不锈钢 Stainless Steel
7	键 Key	45 钢 45 Steel	45 钢 45 Steel	不锈钢 Stainless Steel
8	衬套 Bushing	铜基粉末冶金 Copper Base Powder Metallurgy	铜基粉末冶金 Copper Base Powder Metallurgy	铜基粉末冶金 Copper Base Powder Metallurgy
9	O 形圈 "O" Ring	橡胶 Rubber、氟橡胶 Viton		
10	气动装置 Pneumatic Device	LDP 系列、LDSK 系列、AW 系列 LDP Series、LDSK Series、AW Series		
11	位置指示器 Location Indicator	塑料 Plastic		

主要外形及连接法兰尺寸 Q671X (F、F4、J) -PN6.0、10(0.6、1.0MPa) Main Outline and Connecting Flange Size (图二)

型号 Model	DN	L	L1	L2	~H	H1	D	D1	n-Φ d	执行器型号 Actuator Model
LDBUAP50	50	42	141/159	71/83	269/281	68	52.9	120	4-23	LD052P/LD063SK
LDBUAP65	65	44.7	159/211	83/95	283/303	75	64.5	136.2	4-26.5	LD063P/LD083SK
LDBUAP80	80	45.2	159/248	83/107	289/309	93	78.8	160	8-18	LD083P/LD105SK
LDBUAP100	100	52.1	211/269	95/123	320/338	104	104	185	4-24.5	LD083P/LD105SK
LDBUAP125	125	54.4	248/269	107/123	351/366	118	123.3	215	4-23	LD105P/LD140SK
LDBUAP150	150	55.8	269/345	123/152	380/405	133	155.6	238	4-25	LD125P/LD160SK
LDBUAP200	200	60.6	345/409	152/172	435/477	165	202.5	295	4-25	LD140P/LD160SK
LDBUAP250	250	65.6	409/438	172/187	509/552	197	250.5	357	4-29	LD160P/LD190SK
LDBUAP300	300	76.5	438/550	187/215	597/622	224	301.6	407	4-29	LD190P/LD210SK
LDBUAP350	350	76.5	550/600	215/240	653/688	267	333.3	467	4-30	LD210P/LD240SK
LDBUAP400	400	86.5	550/633	215/262	720/787	309	389.6	515	4-30	LD240P/LD270SK
LDBUAP450	450	105.6	600/633	240/262	772/858	328	440.51	565	4-30	LD270P/AW20S
LDBUAP500	500	131.8	633/730	262/330	867/1104	361	491.5	620	4-33	AW20/AW25S
LDBUAP600	600	152	730/1700	330/-	998/1220	459	592.5	725	4-36	AW25/AW28S
LDBUAP700	700	163	1320/1970	-/-	1116/1282	520	695	840	4-36	AW28/AW35S
LDBUAP800	800	188	1430/2700	-/-	1330/1007	591	794.7	950	4-39	

※注：蝶阀结构长度及连接法兰尺寸可根据 JB/T79 标准或用户要求设计制作。

※注：执行器型号 XXX/XXX 分别是气动执行器双作用式 / 单作用式 (弹簧复位)。

※注：根据不同阀门扭矩、使用介质适配的执行器型号可能有所不同，相关尺寸随之变化。

※注：以上执行器配置及数据均采用软密封 (F) 阀门，硬密封阀门的配置及数据请咨询本公司。

Note: The structural length and connecting flange size of butterfly valve series can be designed and manufactured as per JB/T79 standard or users' requirements.

Note: Date XXX/XXX represent respectively the double-acting/single-acting type (spring reposition) of pneumatic actuator.

Note: The relative sizes are subject to change responding to the difference in valve torque medium and actuator model.

Note: The above actuator configuration and data all use soft-seal valves (F) and hard-seal valves, or consulting us if you have more questions.