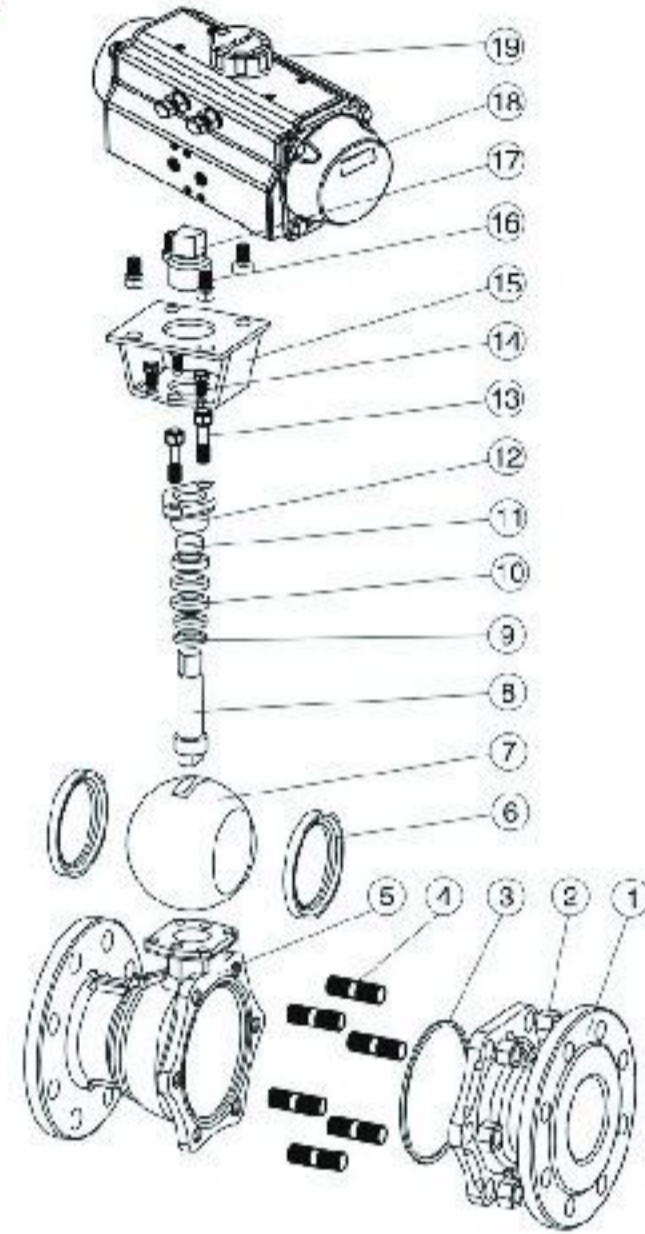


LDBAA/HP 系列

气动法兰式球阀 ANSI



零件结构 (图)

技术参数 Technical Parameters

气缸形式 Cylinder Type	双作用、单作用 Dual action actuator、Spring return action
环境温度 Environmental Temperature	-20°C ~ +80°C
气源压力 Air Pressure	双作用 4~8bar、单作用 5~8bar Dual action actuator 4~8bar、Spring return action 5~8bar

功能选项 Function Options

防爆型 Explosion Proof Model	防爆等级 :dIIBT4 Explosion-proof class: dIIBT4
信号反馈 Signal Feedback	X1 机械式无源信号, X2 有源信号 X1 mechanical passive signal, X2 active signal
手动功能 Manual function	电动执行器带有手动开阀、关阀功能 Optional wheel, manual switch~&close valve function
调节型 Regulation Model	输入 4~20mA 信号, 实现球阀调节功能 4~20mA input signal, realizing adjustment function

标准规范 Specification Standard

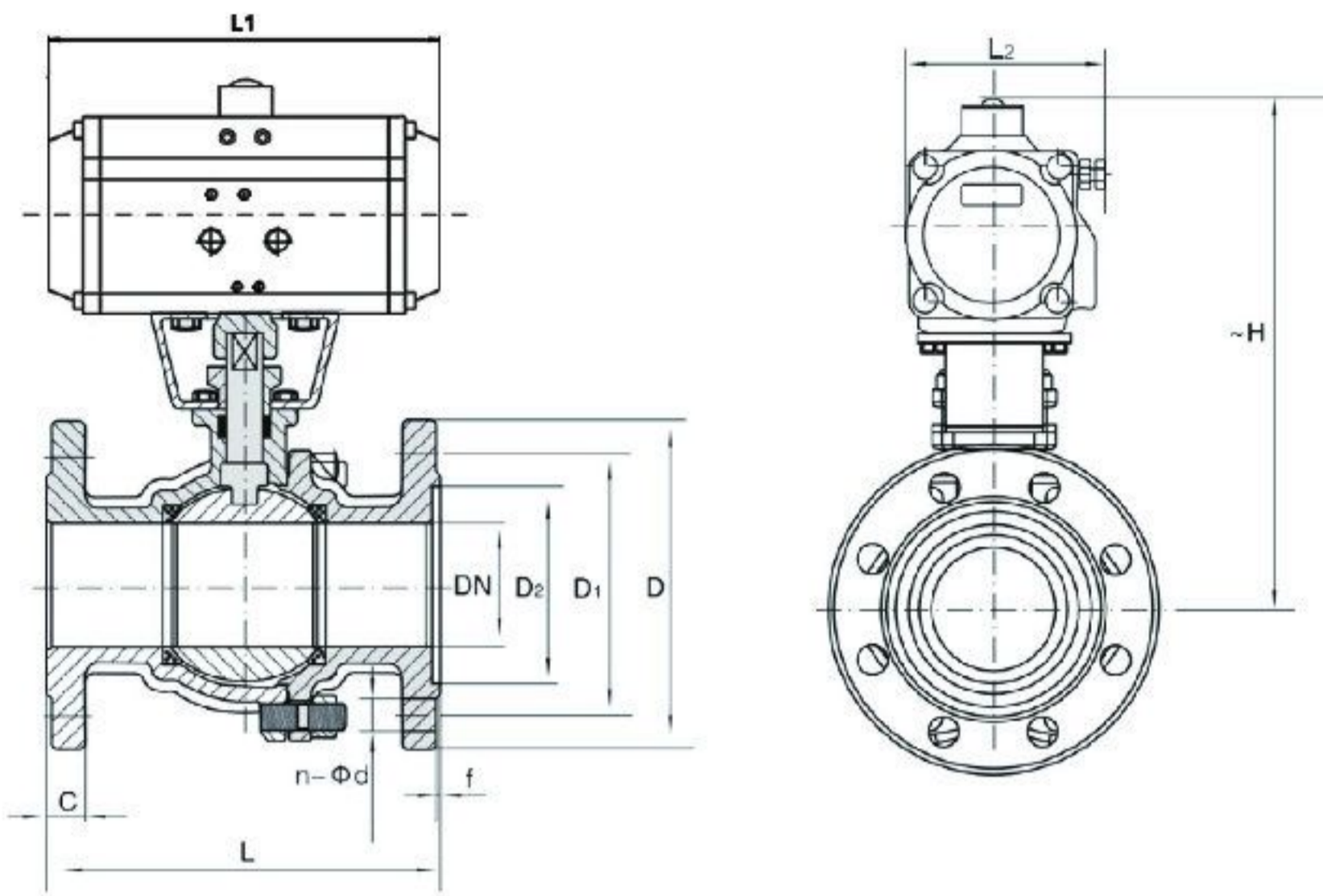
设计标准 Design Standard	API6D、ANSI B16.34
结构长度 Face to face dimension	API6D、ANSI B16.10
法兰连接 Flange Connecting	API6D、ANSI B16.10
连接法兰尺寸 Connecting Flange Size	ANSI B16.5
试验和检验 Test & inspection	API 6D、API598

阀体参数 Body Parameters

公称压力 Nominal Pressure	CLASS150、300、400
连接方式 Connection Method	法兰式 GB (特选 JB、ANSI、JIS) The flangeGB (optionsJB、ANSI、JIS)
阀体材质 Valve Body Material	WCB、SS304、SS316、SS316L
球芯材质 Ball Core Material	SS、SS304、SS316、SS316L
密封材料 Sealing Material	PTFE、PPL(特选:石墨、金属硬密封) PTFE, PPL (options: graphite, metal hard seal)
工作温度 Working Temperature	C3: -30°C ~ 150°C
	C6: -30°C ~ 250°C
	C7: -30°C ~ 350°C
	C8: 40°C ~ 450°C

※注: 球阀结构长度及连接法兰尺寸可根据用户要求设计制作。

Note: The structural length and connecting flange size of ball valve series can be designed and manufactured as per users' requirements



外观尺寸 (图二)

零件结构材质表 Form of Main Parts Materials (图一)

序号 No.	零件名称 Name of parts	材质 Material		
		C	P	R
1	右阀体 Right valve	A216-WCB	A351-CF8	A351-CF8M
2	螺母 Nut	A194-2H	A276-304	A276-316
3	垫片 Gasket	PTEE、石墨金属复合垫 Graphite metal Composite pad		
4	螺栓 Screw	A193 B7	A276 304	A276 316
5	阀体 Body	A216-WCB	A351-CF8	A351-CF8M
6	阀座 Seat	PTEE、尼龙 (Nylon)、对位聚苯 (PPL)、硬质合金 (Hard Alloy)		
7	球体 Ball	A182-F304	A182-F304	A182-F316
8	阀杆 Stem	A276-410	A276-304	A276-316
9	垫片 Gasket	A276-304	A276-304	A276-316
10	填料 Packing	PTFE、柔性石墨 Flexibe Graphite		
11	衬套 Bushing	PTFE 复合轴承 Composite bearings		
12	压盖 Gland	A216-WCB	A351-CF8	A351-CF8M
13	螺栓 Screw	A194-2H	A276-304	A276-304
14	螺栓 Screw	A194-2H	A276-304	A276-304
15	连接支架 Connecting Yoke	A351-CF8	A351-CF8	A351-CF8
16	螺栓 Screw	A194-2H	A276-304	A276-304
17	连接套 Connecting Set	A351-CF8	A351-CF8	A351-CF8
18	气动装置 Pneumatic Device	LDP 系列、LDSK 系列、AW 系列 LDP Series , LDSK Series , AW Series		
19	位置指示器 Location Indicator	塑料 Plastic		

※注：球阀主要零部件及密封圈的材质可根据实际工况条件或用户特殊要求设计选用。

Note: The structural length and connecting flange size of ball valve series can be designed and manufactured as per users' requirements

主要外形及连接法兰尺寸 Q641F (N、P、H、Y) -Class 150 Main Outline and Connecting Flange Size (图二)

型号 Model	mm	in	L	L1	L2	~H	D	D1	D2	C	F	n-Φ d	执行器型号 Actuator Model
LDBAAP15	15	1/2	108	141/159	71/83	204/235	89	60.5	35	10	1.6	4-Φ15	LD052P/LD063SK
LDBAAP20	20	3/4	117	141/159	71/83	209/240	99	69.9	43	10.5	1.6	4-Φ15	LD052P/LD063SK
LDBAAP25	25	1	127	159/211	83/95	214/256	108	79.2	51	11.5	1.6	4-Φ15	LD063P/LD083SK
LDBAAP32	32	1 1/4	140	211/248	95/107	257/277	117	88.9	64	13	1.6	4-Φ15	LD063P/LD105SK
LDBAAP40	40	1 1/2	165	248/269	107/123	274/292	127	98.6	73	14.5	1.6	4-Φ15	LD083P/LD105SK
LDBAAP50	50	2	178	248/269	107/123	290/300	152	120.7	92	16	1.6	4-Φ19	LD083P/LD105SK
LDBAAP65	65	2 1/2	190	269/345	123/152	310/335	178	139.7	105	18	1.6	4-Φ19	LD105P/LD125SK
LDBAAP80	80	3	203	269/345	123/152	346/368	191	152.47	127	19.5	1.6	4-Φ19	LD105P/LD125SK
LDBAAP100	100	4	229	345/409	152/172	378/410	229	190.5	157	24	1.6	8-Φ19	LD125P/LD160SK
LDBAAP125	125	5	356	409/438	172/187	425/450	254	215.9	186	24	1.6	8-Φ22	LD160P/LD190SK
LDBAAP150	150	6	394	550/600	215/240	468/531	279	241.3	216	25.5	1.6	8-Φ22	LD109P/LD210SK
LDBAAP200	200	8	457	633/730	262/730	583/618	343	298.5	270	28.5	1.6	8-Φ22	LD210P/LD240SK

主要外形及连接法兰尺寸 Q641F (N、P、H、Y) -Class 300 Main Outline and Connecting Flange Size (图二)

型号 Model	mm	in	L	L1	L2	~H	D	D1	D2	C	Γ	n-Φ d	执行器型号 Actuator Model
LDBAAP15	15	1/2	140	141/159	71/83	204/235	95	65.7	35	14.5	1.6	4-Φ16	LD052P/LD063SK
LDBAAP20	20	3/4	152	141/159	71/83	209/240	117	82.5	43	15.8	1.6	4-Φ19	LD052P/LD063SK
LDBAAP25	25	1	165	211/248	95/107	214/265	124	88.9	51	17.6	1.6	4-Φ19	LD063P/LD083SK
LDBAAP32	32	1 1/4	178	211/248	95/107	269/287	133	98.4	64	19.1	1.6	4-Φ19	LD075P/LD092SK
LDBAAP40	40	1 1/2	190	248/269	107/123	282/292	155	114.3	73	20.6	1.6	4-Φ19	LD083P/LD105SK
LDBAAP50	50	2	216	269/315	123/141	290/325	165	127	92	22.3	1.6	8-Φ19	LD083P/LD105SK
LDBAAP65	65	2 1/2	241	269/345	123/152	310/357	191	149.2	105	25.4	1.6	8-Φ22	LD105P/LD125SK
LDBAAP80	80	3	283	345/409	152/172	346/368	210	168.3	127	28.6	1.6	8-Φ22	LD105P/LD140SK
LDBAAP100	100	4	305	409/438	172/187	418/443	254	200	157	31.8	1.6	8-Φ26	LD125P/LD160SK
LDBAAP125	125	5	381	438/550	187/215	460/503	279	234.9	186	35	1.6	8-Φ26	LD160P/LD190SK
LDBAAP150	150	6	403	550/600	240/262	518/563	318	269.9	216	36.6	1.6	12-Φ26	LD109P/LD210SK
LDBAAP200	200	8	502	633/730	262/330	583/618	381	330.2	270	41.3	1.6	12-Φ29	LD240P/LD270SK

主要外形及连接法兰尺寸 Q641F (N、P、Y) -PN40 (4.0MPa) Main Outline and Connecting Flange Size (图二)

型号 Model	mm	in	L	L1	L2	~H	D	D1	D2	C	F	n-Φ d	执行器型号 Actuator Model
LDBAAP15	15	1/2	165	141/211	71/95	204/235	95	65.7	35	14.5	6.4	4-Φ16	LD052P/LD063SK
LDBAAP20	20	3/4	190	159/211	83/95	240/252	117	82.5	43	15.8	6.4	4-Φ19	LD063P/LD083SK
LDBAAP25	25	1	216	211/248	95/107	257/265	124	88.9	51	17.6	6.4	4-Φ19	LD075P/LD092SK
LDBAAP32	32	1 1/4	229	248/269	107/123	269/287	133	98.4	64	20.6	6.4	4-Φ19	LD083P/LD105SK
LDBAAP40	40	1 1/2	241	248/315	107/141	282/292	156	114.3	73	22.3	6.4	4-Φ19	LD092P/LD105SK
LDBAAP50	50	2	292	269/345	123/152	300/325	165	127	92	25.4	6.4	8-Φ19	LD105P/LD125SK
LDBAAP65	65	2 1/2	330	345/438	152/187	335/357	190	149.2	105	28.6	6.4	8-Φ22	LD105P/LD140SK
LDBAAP80	80	3	356	409/438	172/187	368/400	210	168.3	127	31.8	6.4	8-Φ22	LD125P/LD160SK
LDBAAP100	100	4	406	438/550	187/215	418/506	254	200	157	35	6.4	8-Φ26	LD160P/LD190SK
LDBAAP125	125	5	457	550/633	215/262	445/548	279	234.9	186	38.2	6.4	8-Φ26	LD190P/LD210SK
LDBAAP150	150	6	495	633/730	262/300	563/598	318	269.9	216	41.3	6.4	12-Φ26	LD240P/LD270SK
LDBAAP200	200	8	597	730	330	636/666	381	330.2	270	47.6	6.4	12-Φ29	LD270P

※注：球阀结构长度及连接法兰尺寸可根据 JB/T79 标准或用户要求设计制作。

※注：执行器型号 XXX/XXX 分别是气动执行器双作用式 / 单作用式 (弹簧复位)。

※注：根据不同阀门扭矩、使用介质适配的执行器型号可能有所不同，相关尺寸随之变化。

※注：以上执行器配置及数据均采用软密封 (F、N、P) 阀门，硬密封阀门的配置及数据请咨询本公司。

Note: The structural length and connecting flange size of ball valve series can be designed and manufactured as per JB/T79 standard or users' requirements.

Note: Date XXX/XXX represent respectively the double-acting/single-acting type (spring reposition) of pneumatic actuator.

Note: The relative sizes are subject to change responding to the difference in valve torque, medium and actuator model.

Note: The above actuator configuration and data all use soft-seal valves (F, N, P) and hard-seal valves, or consulting us if you have more questions.